



Alcock Cement Pipes and Concrete Works

1st Floor, Jayendrapuri Bhavan, Opp. M.J. Library,
Ashram Road, Ahmedabad, Gujarat – 380 006

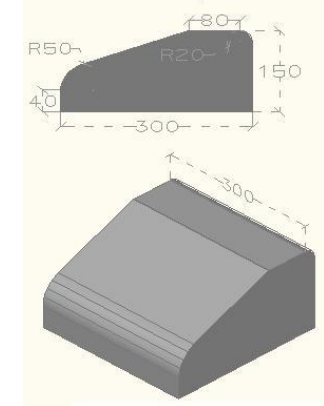
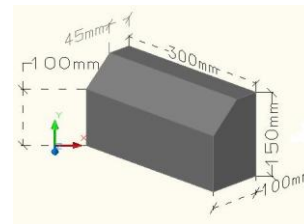
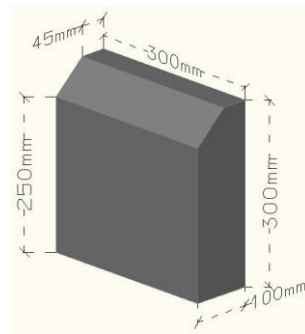
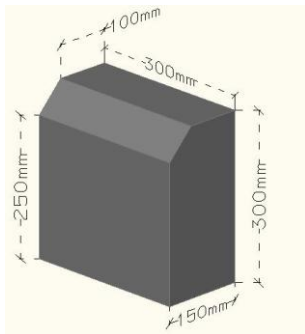
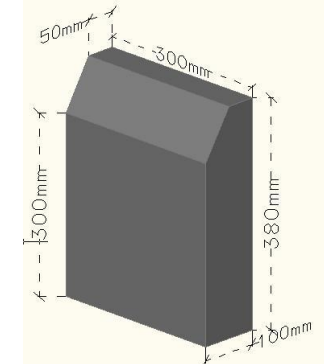
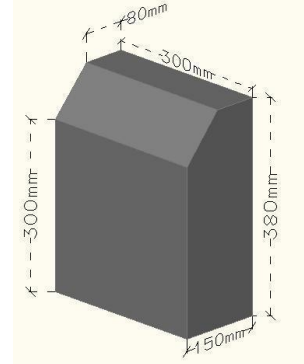
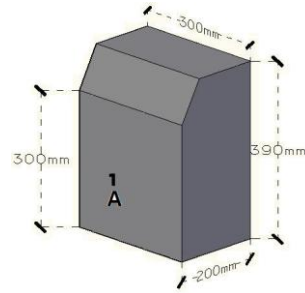
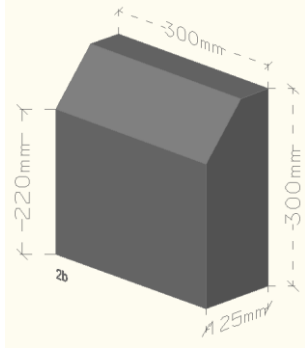
T: +91.079.26577434

+91.079.26579802

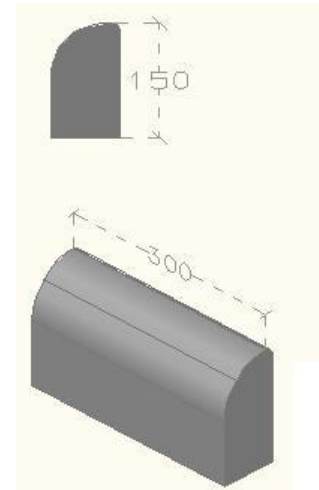
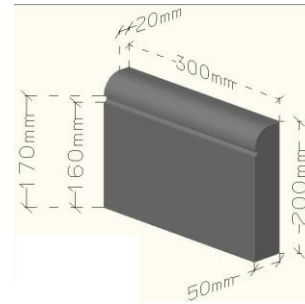
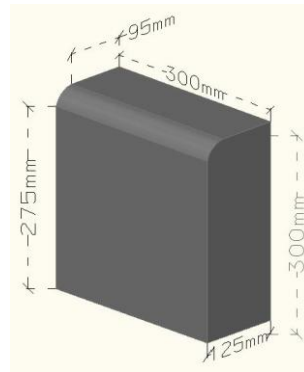
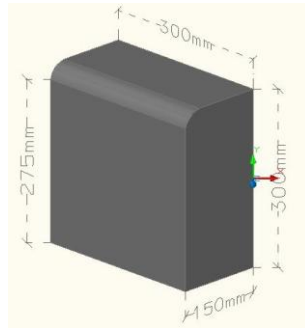
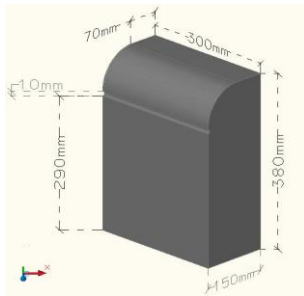
F: +91.079.26579796

E: info@alcockcement.com

Chamfer Curbing Choices



Quarter Round Curbing Choices



Other Curbing Choices

